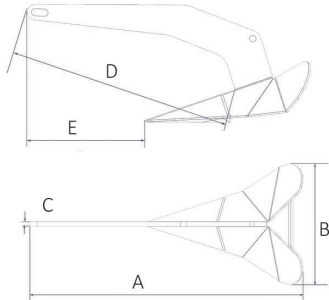


# HINIU MARINE ANCHORS

## Anchors

### Delta Style Anchors

The Delta Style design anchor is constructed from high grade steel giving it maximum tensile strength. The unique shank profile and ballasted tip plus low centre of gravity and self-righting geometry ensure that the anchor will set immediately.

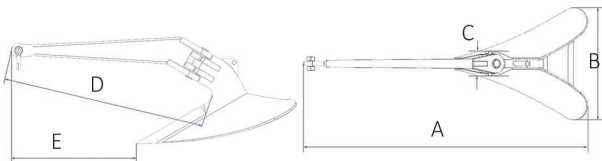


Factory Code	Weight	Chain size	Boat size	A (mm)	B (mm)	C (mm)	D (mm)	E (mm)
151101	2.5kg	6-7mm	6m	425	180	8	310	180
151102	5kg	6-7mm	7m	515	230	8	390	220
151103	7kg	6-7mm	10m	598	270	10	450	245
151104	10kg	8mm	13m	695	208	12	526	285
151105	15kg	8mm	15m	812	360	12	615	335
151106	20kg	10mm	16m	877	389	16	670	367
151107	25kg	10mm	18m	945	417	16	720	389
151108	30kg	10mm	20m	1026	455	16	775	420
151109	40kg	10mm	22m	1099	489	20	840	450

Note: Hot-dipped Galvanized models: 151201-151209.

Plow anchor has gained international status for its superior performance and strength. The construction of the plow anchor will not break. Available in Hot dipped galvanized finishing and stainless steel 316.

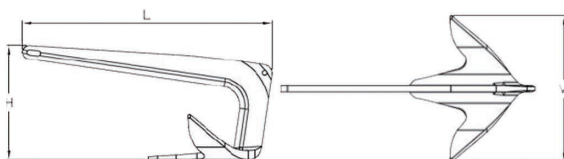
### Plow Anchors



Factory Code	Weight	Chain size	Boat size	A (mm)	B (mm)	C (mm)	D (mm)	E (mm)
153101	7kg	6-7mm	8m	660	235	55	552	330
153102	9kg	6-7mm	10m	775	246	60	647	370
153103	12kg	8mm	12m	825	282	65	677	390
153104	16kg	8mm	15m	981	328	76	776	513
153105	20kg	10mm	18m	1037	355	83	828	528
153106	27kg	10mm	20m	1117	390	89	913	555
153107	34kg	10mm	23m	1190	412	94	978	570

Note: Hot-dipped Galvanized models: 153201-153207.

### Bruce Anchor



Suited to sand and mud bottom. Heavy duty hot dipped galvanised finish, cast iron or cast stainless steel construction. Self align anchors roll upright, irrespective of initial drop altitude. High holding power is obtained by the highly efficient fluke and shank design. Low retrieval force results from the short, broad, single fluke. Retrieval force is generally 30% of the prior holding power.

\*Available in AISI316 & Galvanized Finishing.

Factory Code	Weight	Chain size	Boat size	A (mm)	B (mm)	C (mm)	D (mm)	E (mm)
152101	2kg	6-7mm	25ft	358	210	175		
152102	5kg	6-7mm	28ft	469	310	275		
152103	7.5kg	6-7mm	35ft	531	360	298		
152104	10kg	8mm	40ft	585	380	320		
152105	15kg	8mm	50ft	650	440	350		
152106	20kg	10mm	60ft	700	470	395		
152107	30kg	10mm	65ft	800	560	410		
152108	50kg	10mm	70ft	980	660	470		

Note: Hot-dipped Galvanized models: 152201-152208.

